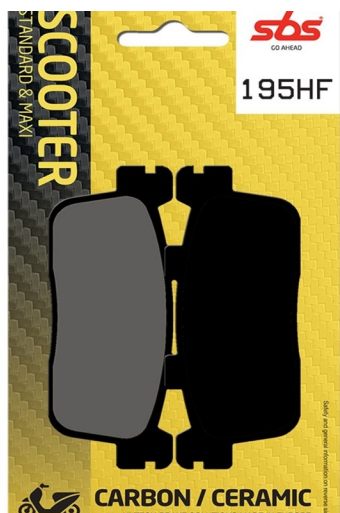
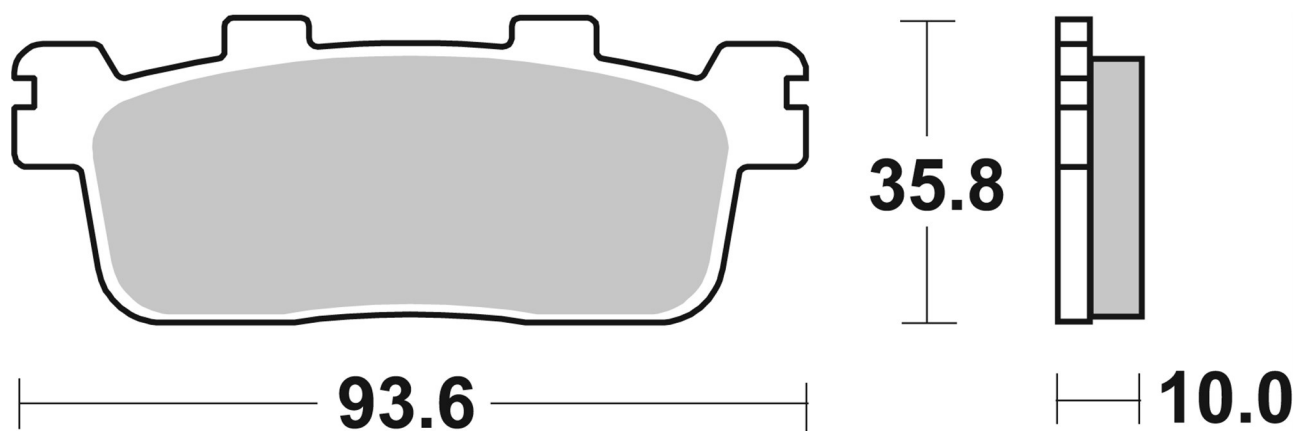


10. oktober 2018

# 195 HF



SBS ref. #	Available compounds
195 HF	CT • HF • MS



**RECOMMENDED**

