

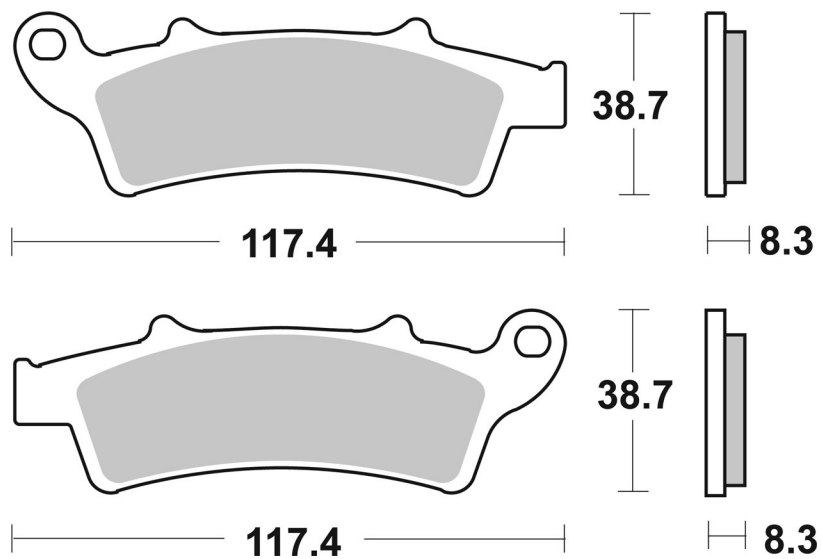
9. oktober 2018

159 HF



SBS ref. #	Available compounds
------------	---------------------

159 HF CT • HF • MS



RECOMMENDED

