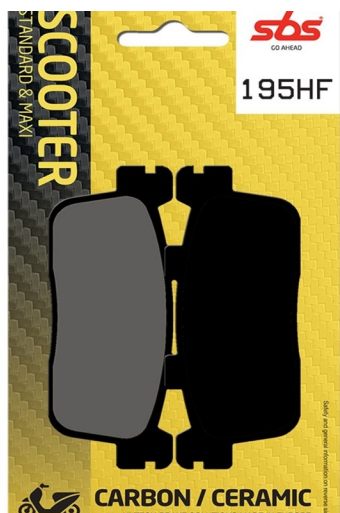
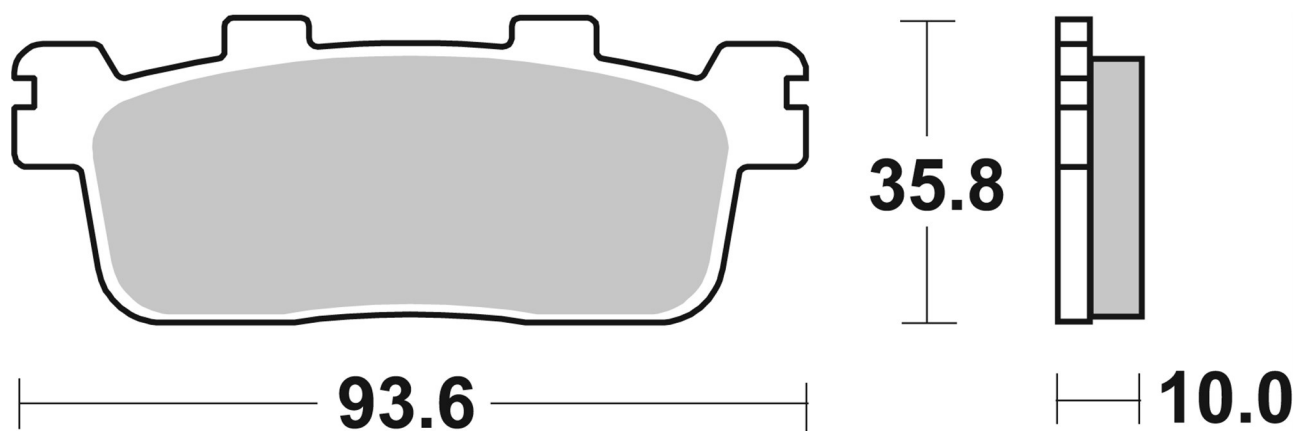


10. oktober 2018

195 HF



SBS ref. #	Available compounds
195 HF	CT • HF • MS



RECOMMENDED

