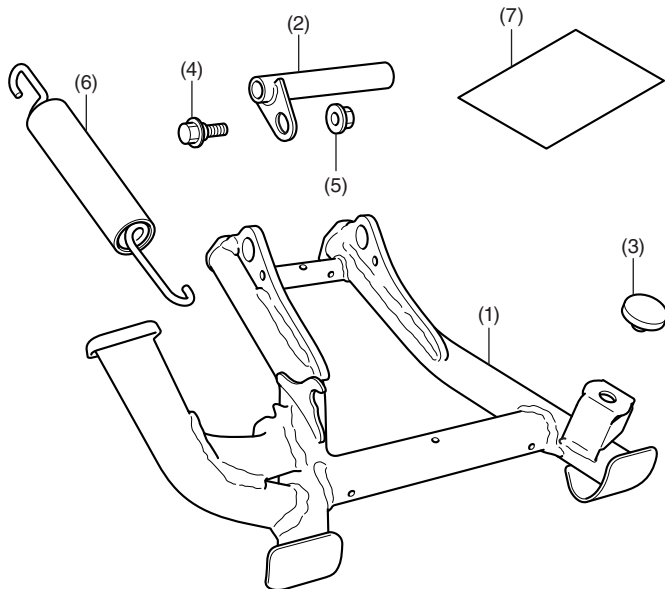


**Honda Dealer: Please give a copy of these instructions to your customer.**

## PARTS LIST



No.	Description	Qty
(1)	Centerstand	1
(2)	Centerstand pivot pipe	1
(3)	Cushion	1
(4)	6 mm bolt	1
(5)	6 mm flange nut	1
(6)	Spring	1
(7)	Installation Instruction URL	1

## TOOLS AND SUPPLIES REQUIRED

- Socket (10 mm)
- Ratchet
- Open-end wrench (10 mm)
- Spring tool
- Grease
- Synthetic detergent (dish soap) solution  
(Water : Synthetic detergent (dish soap) / 100 : 1)
- Shop towel
- Torque wrench

## TORQUE CHART

Tighten all screws, bolts, and nuts to their specified torque values. Refer to the Service Manual for the torque values of the removed parts.

Item	N·m	kgf·m	lbf·ft
6 mm bolt	10	1.0	7

## INSTALLATION

### ▲ CAUTION

- To prevent burns, allow the engine, exhaust system, radiator, etc., to cool before installing the accessory.

### NOTE:

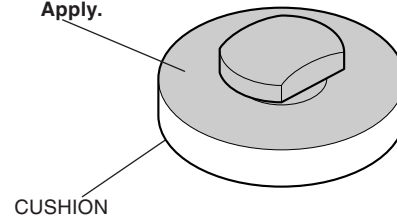
- Be extremely careful when installing the springs as the combined tension of the springs is very strong.
- Keep the motorcycle on its side stand when installing the centerstand.
- The spring installation should be performed by two people. While one person holds the motorcycle, another person installs the spring.

1. Apply synthetic detergent (dish soap) solution to the cushion in the area shown.



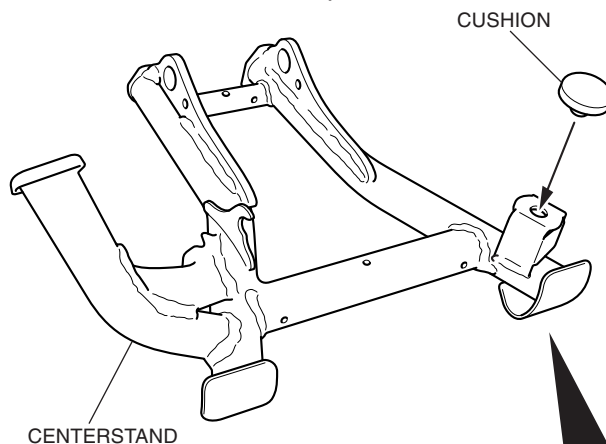
SYNTHETIC DETERGENT (DISH SOAP) SOLUTION

Apply.

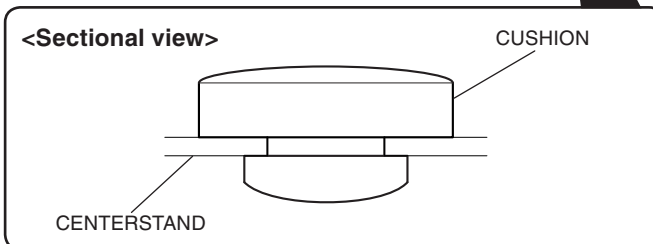


CUSHION

2. Install the cushion in the position shown.



CENTERSTAND

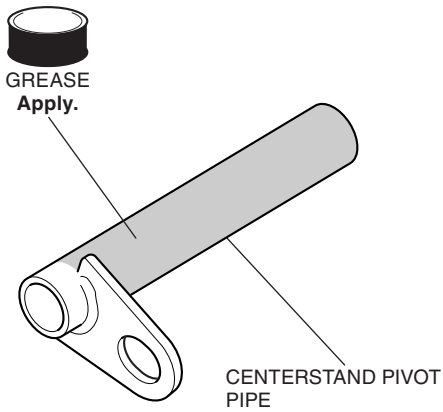


<Sectional view>

CUSHION

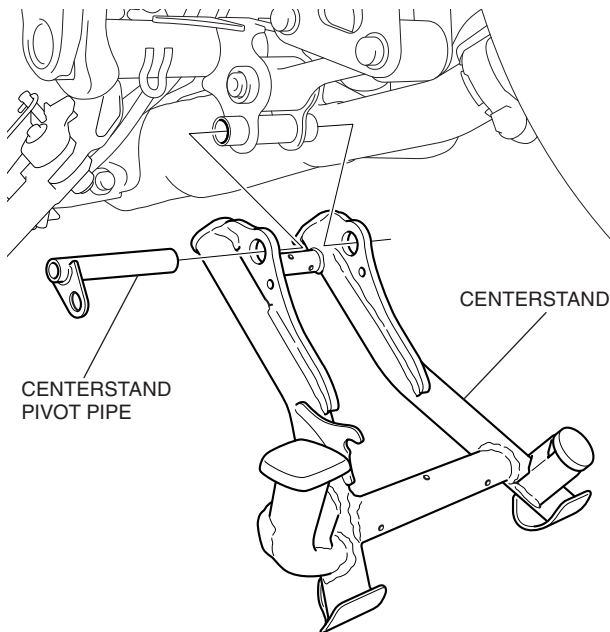
CENTERSTAND

3. Apply grease to the position shown.

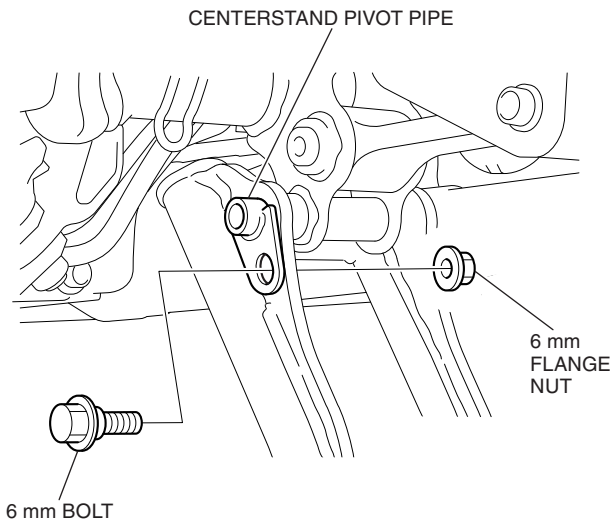


4. Install the centerstand as shown.

<Left side>



5. Install the 6 mm bolt and flange nut as shown.



6. Install the spring as shown.

- The spring installation should be performed by two people. While one person holds the motorcycle, another person installs the spring.
- First install the upper side spring hook, then install the spring on the centerstand.

