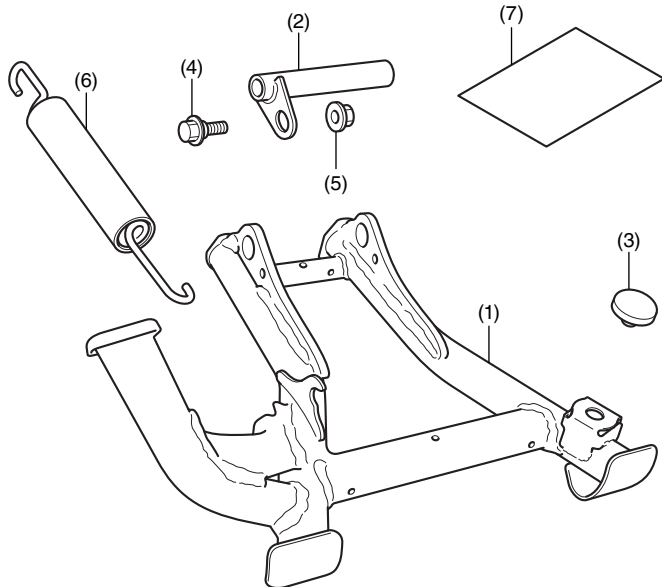


Accessory	Application	Publication No.
CENTERSTAND P/N 08M70-MJW-DK0	CB500X/XA	MII 17166
		Issue Date
		May 2019

Honda Dealer: Please give a copy of these instructions to your customer.

PARTS LIST



No.	Description	Qty
(1)	Centerstand	1
(2)	Centerstand pivot pipe	1
(3)	Stand stop	1
(4)	6 mm bolt	1
(5)	6 mm flange nut	1
(6)	Spring	1
(7)	Installation Instructions URL	1

TOOLS AND SUPPLIES REQUIRED

- Socket (10 mm)
- Ratchet
- Open-end wrench (10 mm)
- Spring tool
- Grease
- Dish soap solution
(Water : Dish soap / 100 : 1)
- Shop towel
- Torque wrench

TORQUE CHART

Tighten all screws, bolts, and nuts to their specified torque values. Refer to the Service Manual for the torque values of the removed parts.

Item	N-m	kgf-m	lbf-ft
6 mm bolt	12	1.2	9

INSTALLATION

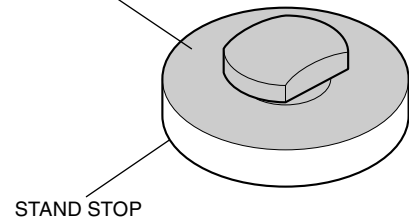
▲ CAUTION

- To prevent burns, allow the engine, exhaust system, radiator, etc., to cool before installing the accessory.

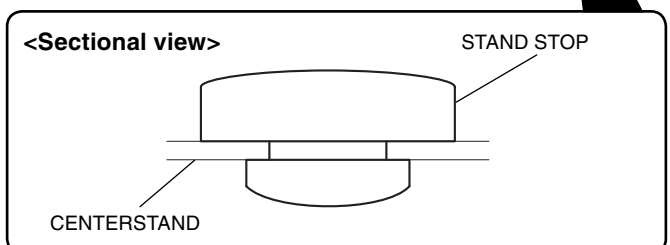
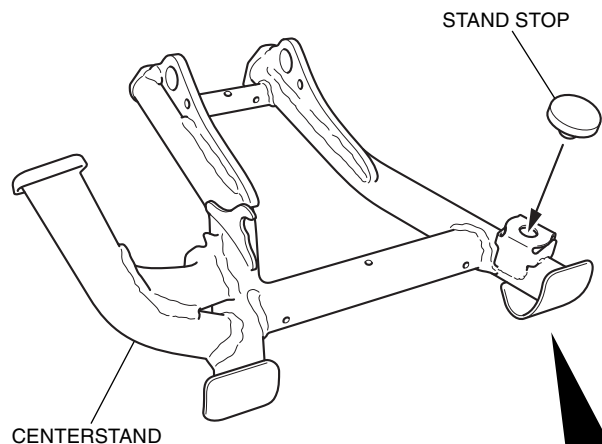
NOTE:

- Be extremely careful when installing the springs as the combined tension of the springs is very strong.
- Keep the motorcycle on its side stand when installing the centerstand.
- The spring installation shall be performed by two persons. While one person holds the motorcycle, another person installs the spring.

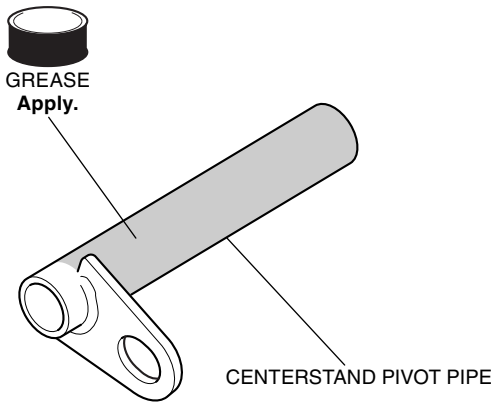
1. Apply dish soap solution to the stand stop in the area shown.



2. Install the stand stop in the position shown.

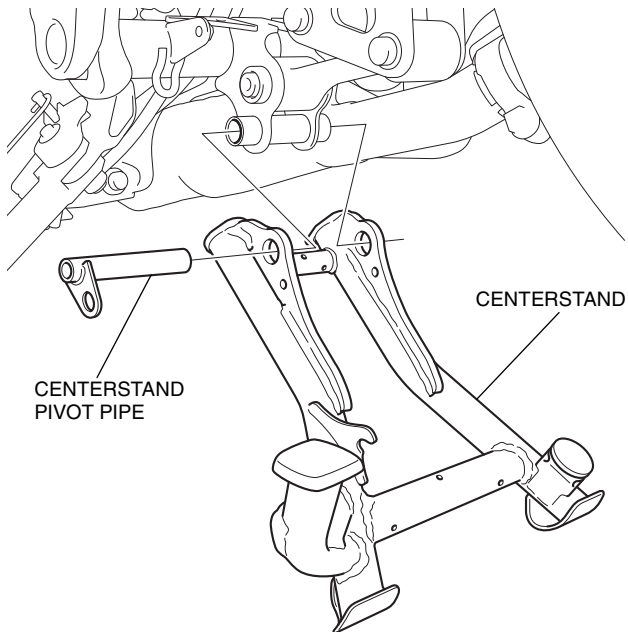


3. Apply grease to the position shown.

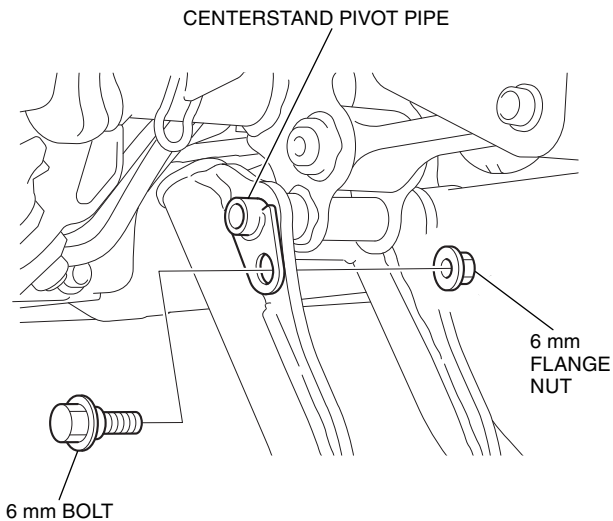


4. Install the centerstand as shown.

<Left side>

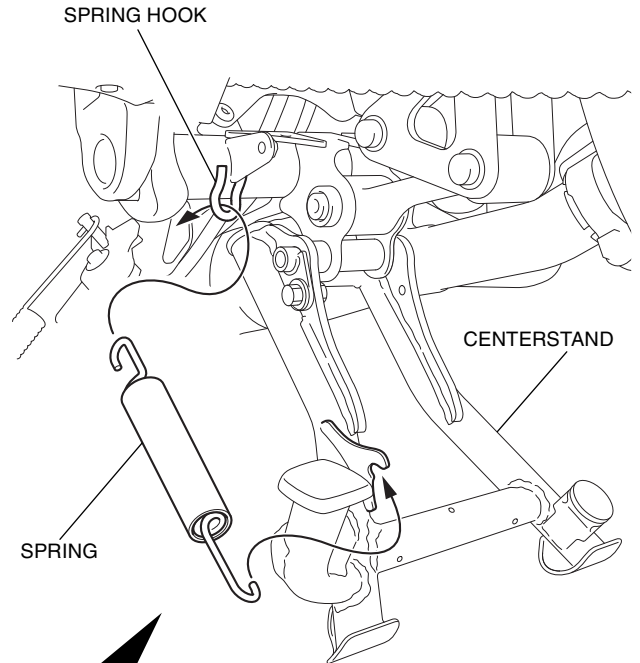


5. Install the 6 mm bolt as shown.



6. Install the spring as shown.

- The spring installation shall be performed by two persons. While one person holds the motorcycle, another person installs the spring.
- First install to the upper side spring hook, then install the spring on the centerstand.



<SPRING INSTALLATION DIRECTION>

