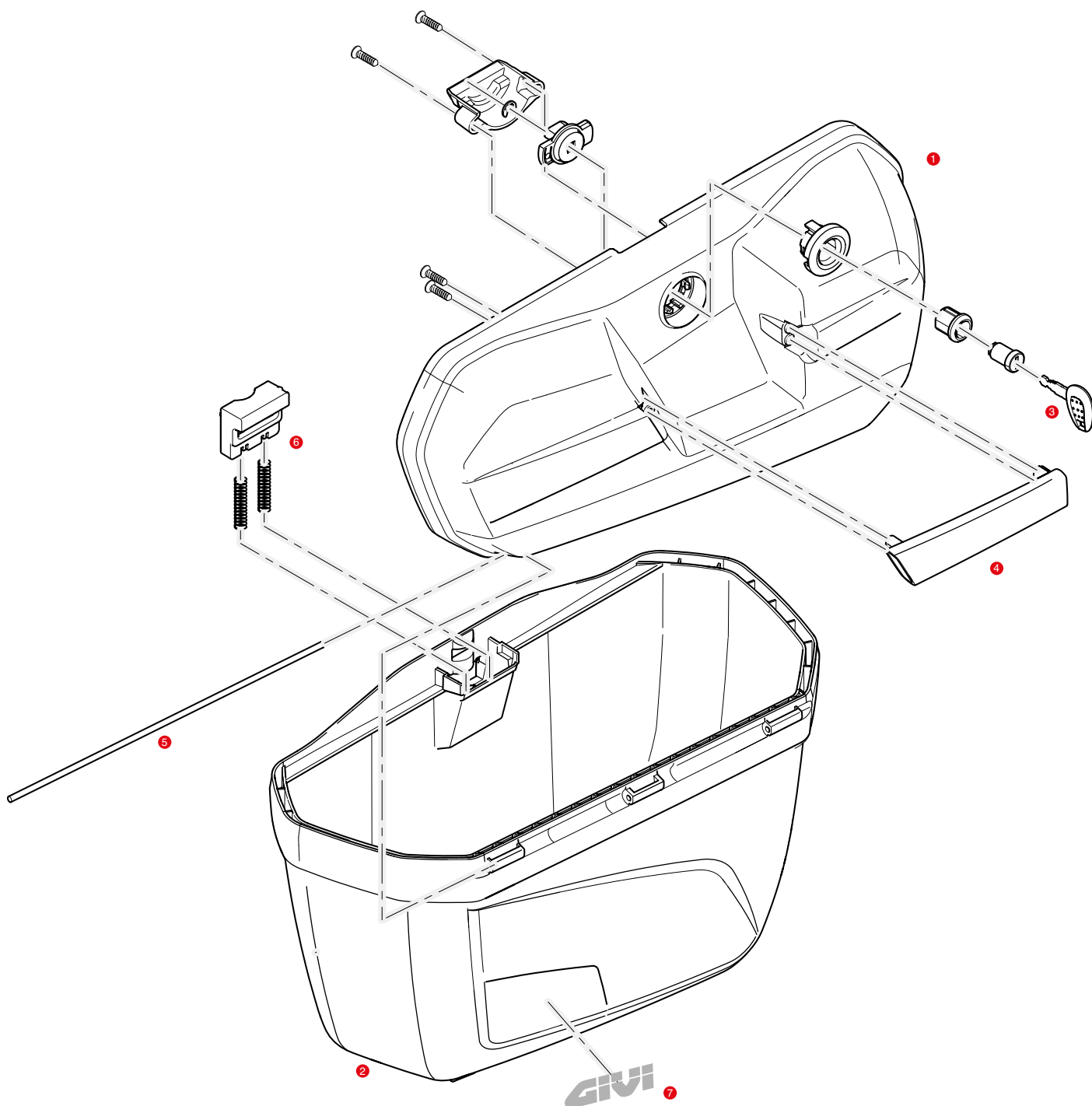


E22



1	Z22CNDXM	E22 assembled top-shell black (right)		
	Z22CNSXM	E22 assembled top-shell black (left)		
2	Z22FNDXM	E22 right bottom-shell (assembled)		
	Z22FNSXM	E22 left bottom-shell (assembled)		
3	Z4023R	Closing system (for E22)		

4	Z4020R	Pair of handles (for E22)		
5	ZS310R	Connecting pin, bottom / lid (for E22)		
6	Z4025R	Bolt + Bolt Springs (for E22)		
7	Z33R	Adhesive Givi Logo		